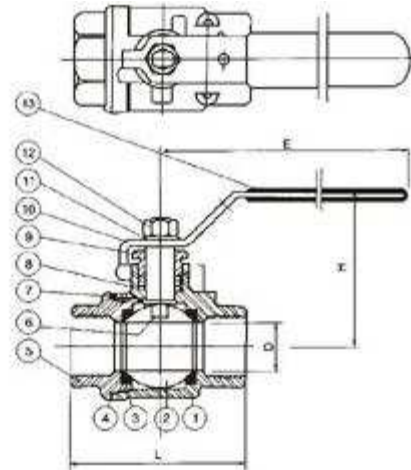




TWO-PIECE MODEL BALL VALVE



Features:

Two-Piece Model Ball Valve

Application Norm

Working Pressure: 150PSI

Temperature Range: -20~232~350 0C

Suitable medium: Water,Oil,air and some Corrosive liquid

Thread type:G.NPT.BSPT.BSP.DIN259/2999